

Bimetal, Instrument Type

300 SERIES



APPLICATIONS

- Ideal for construction applications where on-the-job piping requires reading the instrument from different angles
- Industrial process
- Petrochemical
- Food processing
- Commercial
- Wastewater

- Highest quality thermometers available on the market
- Corrosion-resistant 304 stainless steel case and bezel provide a hermetic seal to prevent lens fogging and moisture damage
- Temperature ranges from -100 °F to 150 °F through 200 °F to 1,000 °F, single and dual scales available
- Accuracy: $\pm 1\%$ full scale, Grade A, ASME B40.3
- 3" and 5" sizes - center back, bottom connected
- Adjustable angle connection on 30-320 and 50-320 models
- 1/2" NPT connection
- 2-1/2" to 72" stem lengths available
- Heavy-duty 316 stainless steel stem (0.375" diameter) optional
- Minimum or maximum indicating pointers are available in 3" and 5" sizes
- The bimetal element is an extremely responsive temperature sensing helix which has been carefully sized, tested, heat-treated and aged to relieve inherent stresses and ensure continued accuracy
- Slotted hex head adjustment offers field calibration for maximum accuracy at a selected range
- For accurate readings, the minimum recommended stem immersion is 2-1/2" in liquids and 4" in gases
- Options include laminated safety glass lenses, special ranges, custom dial layouts, special stems, different connections (1/4" and 3/8" NPT Male), and a silicone liquid filled option is available for applications involving severe vibration

	SERIES	SPECIFICATIONS
Case	30-300, 50-300, 30-310 50-310, 30-320, 50-320, 10-310	304 stainless steel
Bezel	30-300, 50-300, 30-310 50-310, 30-320, 50-320, 10-310	304 stainless steel electroless polished
Lens	30-300, 50-300, 30-310 50-310, 30-320, 50-320, 10-310	Instrument glass Polycarbonate
Pointer	30-300, 50-300, 30-310 50-310, 30-320, 50-320 10-310	Aluminum, black finish Aluminum, red finish
Stem	30-300, 50-300, 30-310 50-310, 30-320, 50-320, 10-310	304 stainless steel
Accuracy	30-300, 50-300, 30-310 50-310, 30-320, 10-310	$\pm 1\%$ full scale, Grade A, ASME B40.3
Dial	30-300, 50-300, 30-310 50-310, 30-320, 50-320, 10-310	Aluminum, white background, dual scale, black Celsius scale and black Fahrenheit scale
Recalibrator	30-300, 50-300, 30-310, 50-320, 10-310	External reset
Adjustable angle form	30-320, 50-320	Adjustment of the stainless steel harness allows case rotation of 360° and stem variation of more than 180°

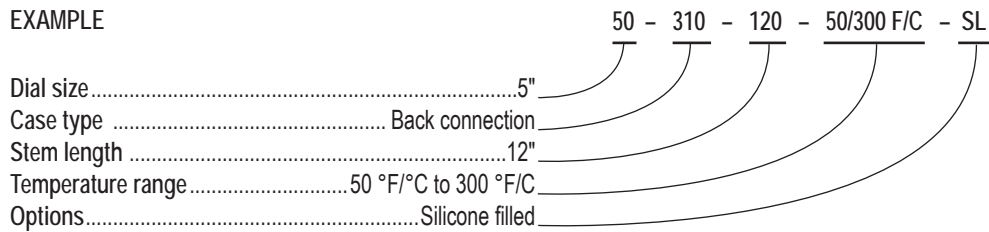
Thermowells are recommended for pressure, corrosive fluids and high velocity applications, see pages 28-29.

ORDERING INFORMATION						
SERIES	300					
DIAL SIZES	30	3"	50	5"		
CASE TYPES	300	Bottom connection	310	Back connection	320	Adjustable angle connection
STEM LENGTHS	025	2-1/2"	120	12"	300	30"
	040	4"	150	15"	360	36"
	060	6"	180	18"	420	42"
	090	9"	240	24"	480	48"
TEMPERATURE RANGES <i>Dual Scale °F/°C</i>	-100/150 F/C	-100 °F/°C to 150 °F/°C	30/130 F/C	30 °F/°C to 130 °F/°C†	50/500 F/C	50 °F/°C to 500 °F/°C
	-80/120 F/C	-80 °F/°C to 120 °F/°C	0/140 F/C	0 °F/°C to 140 °F/°C	50/550 F/C	50 °F/°C to 550 °F/°C
	-40/120 F/C	-40 °F/°C to 120 °F/°C	0/200 F/C	0 °F/°C to 200 °F/°C	0/600 F/C	0 °F/°C to 600 °F/°C
	-20/120 F/C	-20 °F/°C to 120 °F/°C	0/250 F/C	0 °F/°C to 250 °F/°C	150/750 F/C	150 °F/°C to 750 °F/°C
	-40/160 F/C	-40 °F/°C to 160 °F/°C	20/240 F/C	20 °F/°C to 240 °F/°C	100/800 F/C	100 °F/°C to 800 °F/°C
	0/100 F/C	0 °F/°C to 100 °F/°C†	50/300 F/C	50 °F/°C to 300 °F/°C	200/1000 F/C	200 °F/°C to 1,000 °F/°C
	25/125 F/C	25 °F/°C to 125 °F/°C†	50/400 F/C	50 °F/°C to 400 °F/°C		
<i>Single Scale °F</i>	-100/150 F	-100 °F to 150 °F	30/130 F	30 °F to 130 °F†	50/500 F	50 °F to 500 °F
	-80/120 F	-80 °F to 120 °F	0/140 F	0 °F to 140 °F	50/550 F	50 °F to 550 °F
	-40/120 F	-40 °F to 120 °F	0/200 F	0 °F to 200 °F	0/600 F	0 °F to 600 °F
	-20/120 F	-20 °F to 120 °F	0/250 F	0 °F to 250 °F	150/750 F	150 °F to 750 °F
	-40/160 F	-40 °F to 160 °F	20/240 F	20 °F to 240 °F	100/800 F	100 °F to 800 °F
	0/100 F	0 °F to 100 °F†	50/300 F	50 °F to 300 °F	200/1000 F	200 °F to 1,000 °F
	25/125 F	25 °F to 125 °F†	50/400 F	50 °F to 400 °F		
<i>Single Scale °C</i>	-70/70 C	-70 °C to 70 °C	0/55 C	0 °C to 55 °C†	0/250 C	0 °C to 250 °C
	-60/50 C	-60 °C to 50 °C	-20/60 C	-20 °C to 60 °C	10/290 C	10 °C to 290 °C
	-50/50 C	-50 °C to 50 °C	0/100 C	0 °C to 100 °C	-20/315 C	-20 °C to 315 °C
	-30/50 C	-30 °C to 50 °C	-20/120 C	-20 °C to 120 °C	0/300 C	0 °C to 300 °C
	-40/70 C	-40 °C to 70 °C	-10/110 C	-10 °C to 110 °C	0/450 C	0 °C to 450 °C
	-20/40 C	-20 °C to 40 °C†	0/150 C	0 °C to 150 °C	100/550 C	100 °C to 550 °C
	0/50 C	0 °C to 50 °C†	0/200 C	0 °C to 200 °C		
Consult factory for additional temperature ranges						
OPTIONS	1/4	1/4" NPT	SG	Safety Glass Lens	HD	Heavy-Duty Stem (0.375" Dia.)
	3/8	3/8" NPT	LL	Polycarbonate Lens	AU	1/2" NPT Adjustable Union
	1/2	1/2" NPT*	MIP	Maximum Indicating Pointer††	SL	Silicone Filled (500 °F Max)**
	PL	Acrylic Lens	316	316 SS Connection & Stem	MM	Manocont Movement

Please consult your local NOSHOK Distributor or NOSHOK, Inc. for availability and delivery information.

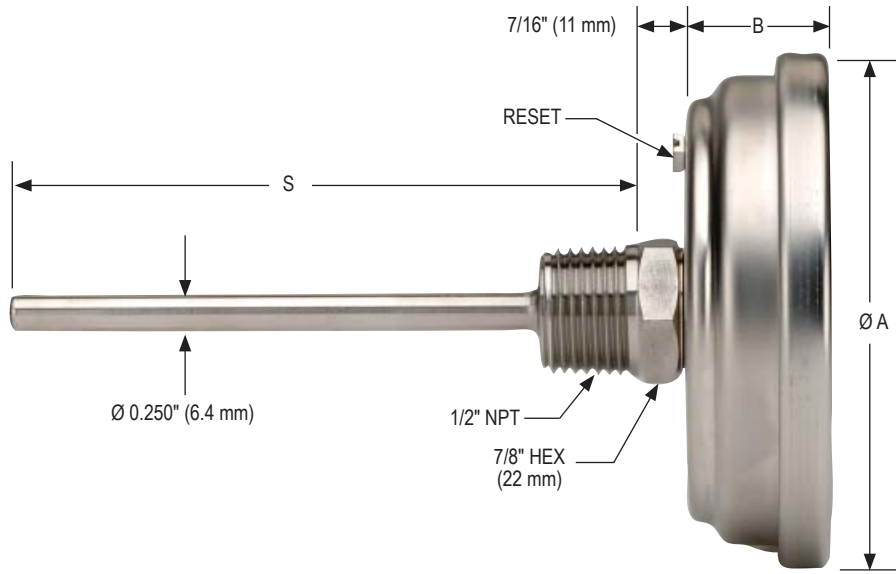
- * Standard connection on 3" dial size
- ** Requires acrylic lens option
- † Not available with 2-1/2" stem length
- †† Only available on 310 Series case type

EXAMPLE

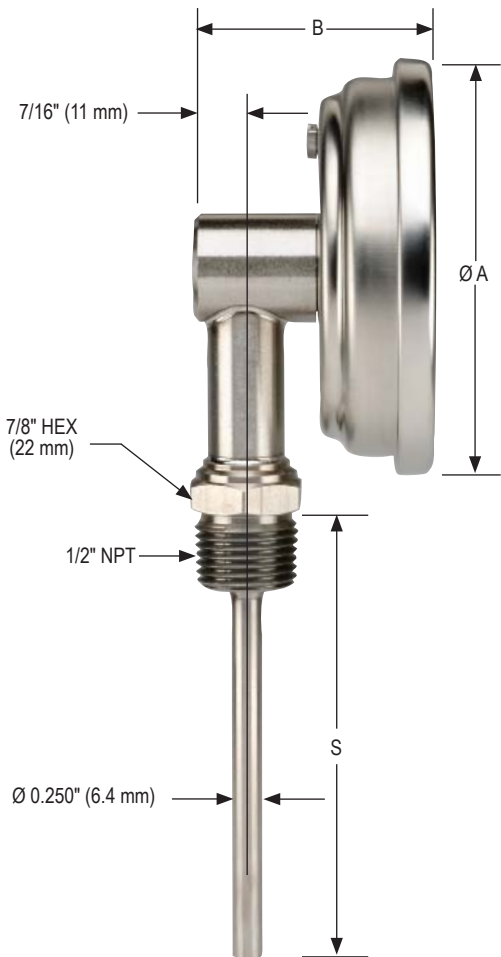


Dimensions

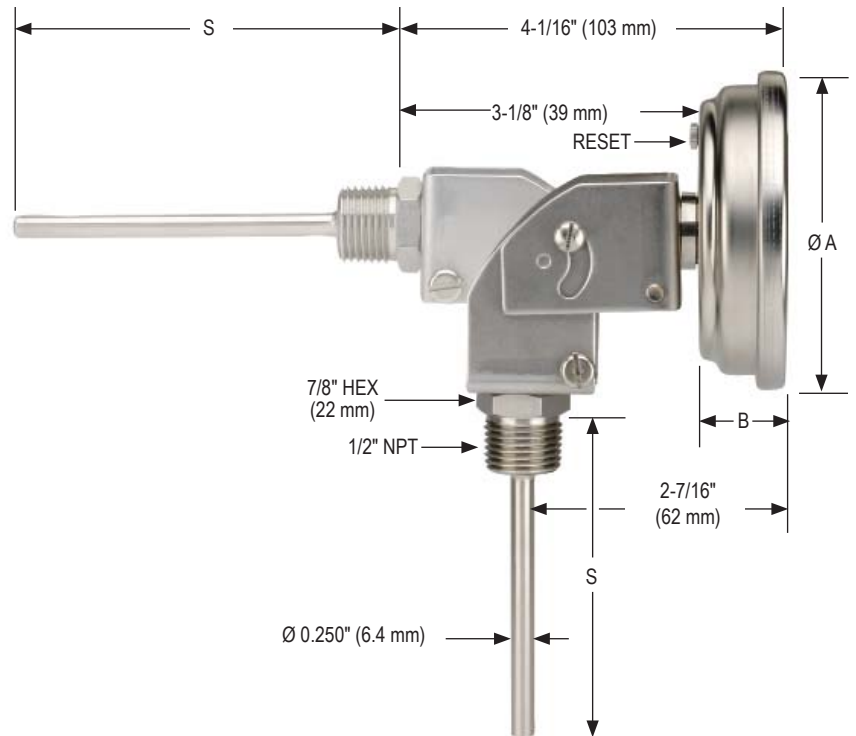
30-310/50-310



30-300/50-300



30-320/50-320

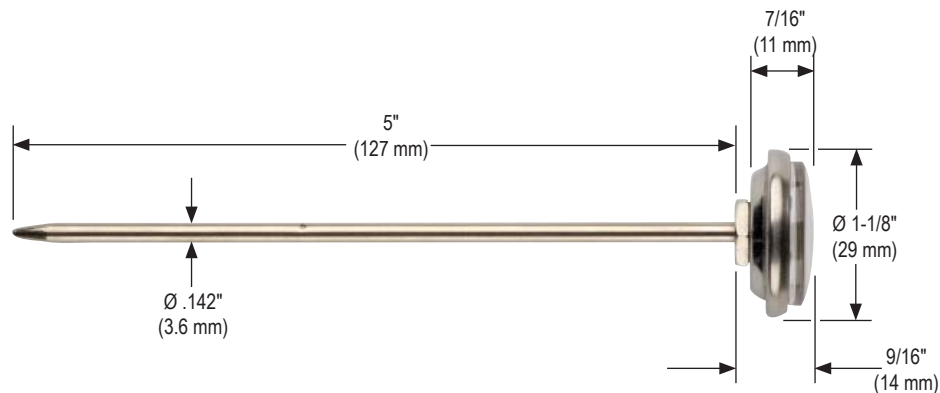
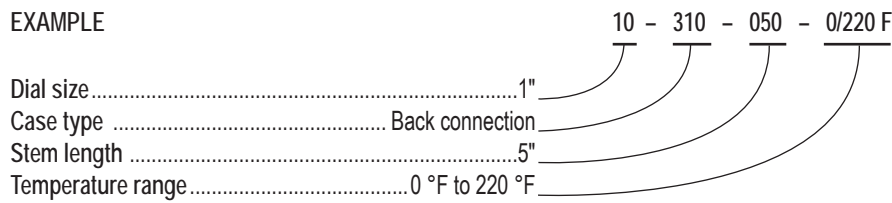


Pocket Size Thermometer

ORDERING INFORMATION				
SERIES	310			
DIAL SIZE	10 1"			
CASE TYPE	310 Back connection			
STEM LENGTH	050 5"			
TEMPERATURE RANGES	-40/160 F	-40 °F to 160 °F	0/220 F	0 °F To 220 °F
			50/550 F	50 °F to 550 °F

Please consult your local NOSHOK Distributor or NOSHOK, Inc. for availability and delivery information.

EXAMPLE



Series		Ø A	B	S (Stem Length)
30-300	mm inch	83 3-1/4	48 1-7/8	As specified
50-300	mm inch	133 5-1/4	48 1-7/8	As specified
30-310	mm inch	83 3-1/4	24 15/16	As specified
50-310	mm inch	133 5-1/4	24 15/16	As specified
30.320	mm inch	83 3-1/4	24 15/16	As specified
50-320	mm inch	133 5-1/4	24 15/16	As specified