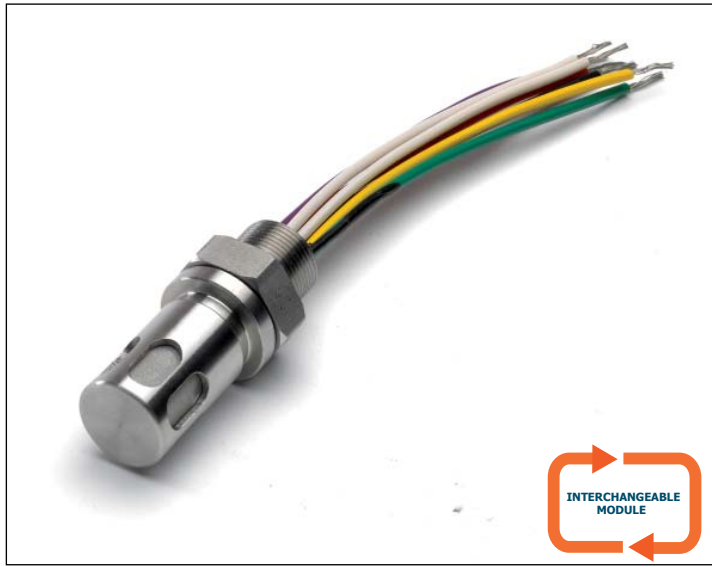


PCMini70

Relative Humidity and Temperature Mini Probe



The PCMini70 is a relative humidity transmitter based on the interchangeable Hygrosmart module.

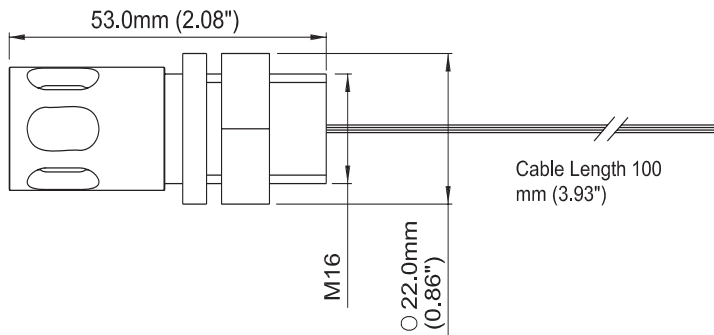
Highlights

- Designed for OEM applications
- Based on the interchangeable Hygrosmart module
- Compact housing

Technical Specifications

Performance	
Measurement range (RH)	0–100% RH
Measurement range (T)	-30 to +85°C / -22 to +185°F
RH Accuracy at 23°C / 73°F	<±2% RH (5–95% RH)
Temperature Accuracy	±0.2°C (-10 to +50°C) ±0.36°F (14 to +122°F)
Stability – RH Sensor	<±1% RH/year
Response time – RH Sensor	<10 sec typical (for 90% of the step change)
Electrical output/input	
Output signal (RH)	0-1 V
Output signal (T)	3-wire 1/3 DIN Pt100 direct
Supply voltage	5 VDC ±5%
Load resistance	R > 5K Ω Digital: CMOS compatible
Current consumption	1.5 mA max
Operating conditions	
Operating humidity Probe, Housing, Storage	0–100% RH
Operating temperature Sensing element Housing Storage	-30 to +85°C / -22 to +185°F -40 to +85°C / -40 to +185°F -40 to +85°C / -40 to +185°F
Mechanical specification	
Housing material	AISI 316
Dimensions	L=53mm , ø22mm / L=2.08", ø 0.86"
Filter	AISI 316 Stainless steel mesh
Weight	65g / 2.30oz
Electrical connections	Threaded nipple + nut

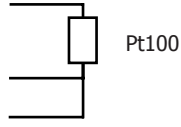
Dimensions



Accessories and spare parts

Hygrosmart without Pt100	I7000.0
Hygrosmart with Pt100	I7000.1
Stainless steel slotted cap with mesh filter (standard)	K1
Stainless steel slotted cap with PTFE filter	Z1

Electrical Connections

Cable		
Green		
White		
White		
Black	0 V	- Common ground
Red	+5 V	- Supply Voltage V+
Violet	Out V	- Output RH (Volt)
Yellow	Out F	- Output RH (freq)

Order codes

Relative humidity and temperature mini probe PC70 1 K1

Temperature output signal	
Relative humidity 0–1 V	
No temperature output	0
Pt100 direct (standard)	1

Filter	
Stainless steel slotted cap with mesh filter (standard)	K1
Stainless steel slotted cap with PTFE filter	Z1

Example: PCMini70 1 K1

Relative humidity and temperature mini probe PC Mini70. Pt100 direct output and stainless steel slotted cap with mesh filter.

Please note: Michell Instruments adopts a continuous development program which sometimes necessitates specification changes without notice. Please contact us for latest version. Ref: PCMini70_0908