

USB-Server Industry Isochron

Easy cable extension for optris PI160/ 4xx series

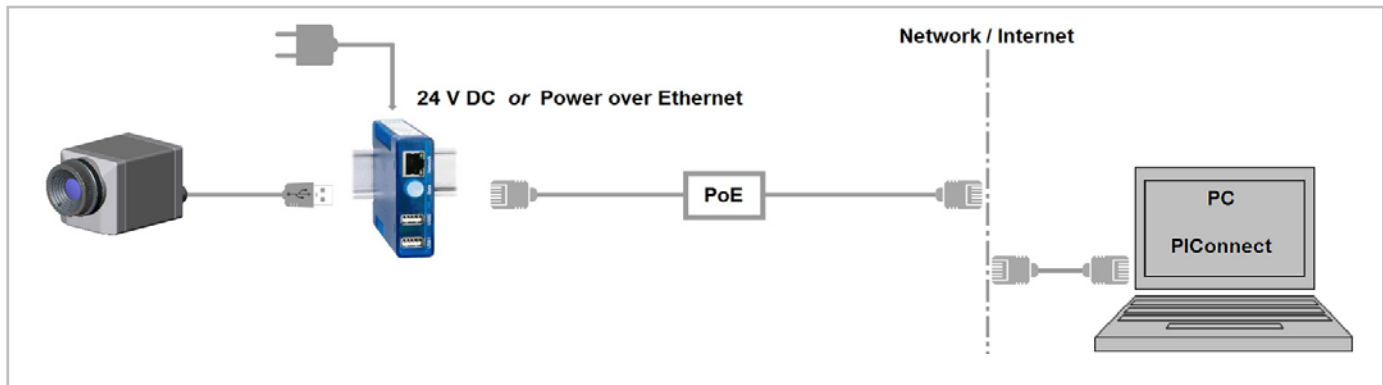


Technical data	
USB ports	2 x USB A port
USB speed	480 Mbit/s
Network	10/100BaseT autosensing (max. 100 Mbit/s)
Power supply	Power-over-Ethernet (PoE) Class 3 (6.49-12.95W) or via screw terminal DC 24V...48V (+/-10%)
Current consumption	Ext. supply (24V DC) without USB devices: typ. 90mA Ext. supply (24V DC) with 2 USB devices each 2.5W: typ. 390mA
Ambient temperature	Storage: -40...85°C In operation: Assembled individually: 0...70°C Assembled in rows: 0...60°C
Relative humidity	0 - 95%, non-condensing
Housing	Plastic compact housing for top-hat rail mount. 105 x 75 x 22 mm
Weight	200 g
Scope of delivery	1x USB-Server Industry 1x Product CD with USB Port Redirector, WuTility Management Tool, reference manual, Power supply 24 VDC

FEATURES

- **Fully USB 2.0 compatible**
Data rates: 1.5 / 12 / 480 mbps
Support of all USB modes (Control, Bulk, Interrupt, Isochronous)
- **Supports 120 hz (PI160) / 27 Hz (PI4xx) frame rate**
- **USB Redirector implemented as a Windows kernel-mode driver**
Full integration into the plug 'n play system
Intuitive graphical configuration tool
Additional command line tool for batch-/script-controlled device incorporation
- **Full TCP/IP support incl. routing and DNS**
- **Two independent USB ports**
- **Supply from PoE or external power supply**
Phantom power using data pairs
Power provided by unused wire pairs (spare-pair power)
Alternative: external power supply up to 48V DC
- **Remotely configurable via Web Based Management**
Configuration of the system parameters
- **Proven technology from Wiesemann & Theis**

Protocols	
USB port protocols	USB 1.0 / 1.1 / 2.0 Control / Bulk / Interrupt / Isochronous
Protocols for direct network connection	TCP/IP: Socket Auxiliary protocols: ARP, DHCP, HTTP, PING Inventory keeping, group management



Specifications are subject to change without notice
USB Server-DS-EZ013-02-A