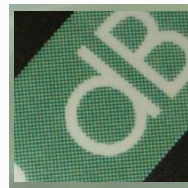


dB40 Transducer datasheet



Pulsar's dB40 non-contacting ultrasonic transducers offer compact, robust measurement for liquids and solid application. An innovative approach to transducer design in combating electrical noise, Pulsar has incorporated a low voltage communication and the use of digital echo processing, makes cable splicing issues a thing of the past.



Measurement Range

Range: 4.0ft. – 131.0 ft. (1.5m – 40.0m)

Performance

Accuracy: 0.1% of max range.

Resolution: 0.2 inch (5.0mm)

Operating Temperature: -40 to 194°F (-40 to +90°C)

Beam Angle: Effective 3° full beam angle with algorithms
<5° full beam angle at -3dB, 20KHz

Return Echo: A digital current signal (for eliminating electrical noise) and returned back to the microprocessor for signal processing.

Standard Mounting

Mounting: 1" NPT rear

Enclosure Material: Valox 357 PBT (Polybutylene terephthalate)

Approvals

Enclosure Rating: NEMA 6P (IP68)

Area Classification: FM/FMC: Class I, Div. 1, Groups A-D and Class II, Div. 1, Groups E-G . ATEX EEx m IIC

Other Options

Solid Application: Foam Face (solids applications)

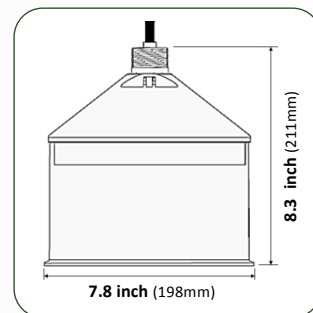
Cable Connection

Cable Splicing: Cable splicing is not an issue.

Cable Extension: 3-conductor 20 AWG shield

Maximum Separation: 3,280 ft. (1km) between transducer and transceiver
(12,600 ft. (3.8km) is achievable, contact manufacturer for more information.)

dB40



Foam Face

