

Synchro (Selsyn®) - Rotary Position Indicator

UTILITY/INDUSTRIAL
Model 1250-LTC



The Model 1250-LTC provides critical LTC **Maintenance Data** to assist in making informed decisions, while continuing to provide highly accurate local and remote indication of Load Tap Changer position.



Applications

- Transformer Load Tap Changer Position
- Works with virtually all transformer LTC's
- Single Phase Voltage Regulator Position

Benefits

- Proven Reliability – many in Utility & Industrial operations for over 20 years
- Maintenance Free
- Can be retrofitted to older LTC's with existing synchros
- Easy Installation and Programming
- Flexible Communication Options

Capabilities (most can be alarmed)

- Provides absolute position feedback
- Tap Change Displacement (position variation, 0.1 degree resolution)
- Total Operations Count
- Number of Tap Changes "up to" or "down to" each Tap
- Number of Consecutive Tap Changes in one Direction
- Number of Days Since First or Last Change to Highest and Lowest Tap (Draghands)
- Number of Days Since Passing Through Neutral
- "Unstable Signal" and loss of signal detection
- Momentary Relay Acknowledgement at Each Tap Change
- High Tap and Low Tap Alarm Limits

Features

- Interfaces with PLC's and PC-Based SCADA systems
- Elapsed Time Clock
- Full Duplex RS-232 Serial Communication or Addressable RS-485 Multi-Drop Communication
- Programmable via the Serial Port
- 2ea, Form A Dry Contact Relays
- Proportional Stepped Analog Output
- ASCII or MODBUS Protocols
- Highly Visible 5 Digit LED Display
- Small size fits in 1/8 DIN panel cut-out

Specifications

GENERAL

Input Signal	Synchro (5 wire) 90 V Maximum
Resolution	±0.001% of full scale or 6 arc minutes
Accuracy	±0.02% of full scale maximum (0.01% typical)
Temperature Drift	±0.01% per °C
Operating Temp.	0° to 55 °C (standard)
Humidity	10% - 90% non condensing
Weight	24 oz.
Voltage	117/234 ±10%
Frequency	47 - 63 Hz
Load	8 Watts, maximum

DISPLAY

Type	5-digit LED
Digit Height	0.56 inch (14.2mm)
Viewing distance	23 feet

OPTIONAL ANALOG OUTPUT

Outputs	±1mA, 0-1mA, 0-2mA, 4-20mA *
Compliance	10 Volts (0-1mA, ±1mA, 0-2mA) 500 Ohms (4-20mA)
Non-Linearity	± 0.1% of full scale
Resolution	12 bits (±0.025% of full scale)

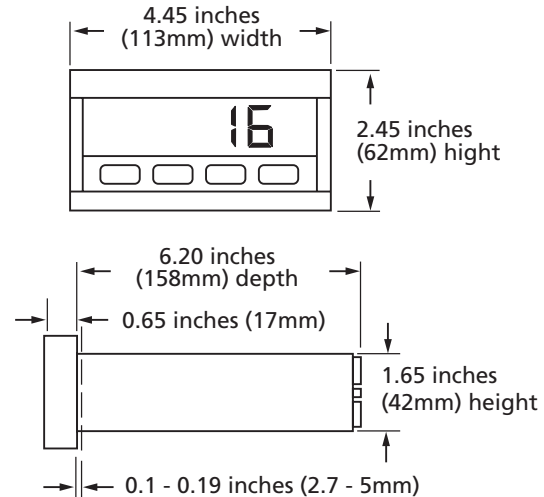
OPTIONAL RELAYS

Contact Rating	3A@125/250 VAC (resistive), 30 VDC
----------------	------------------------------------

Optional Accessories

Model 1292	Selsyn Synchro Transmitter
Model 1292K	Transmitter w/bracket
Model 1292KS	Transmitter w/bracket & surge protections circuit
Model 1293	Flexible coupling shaft
Model 1945	15 VDC Loop Power Supply (For 4-20mA Analog Output)
Model 1280	Surge Protection Module
Model RD-4	Remote Display

Model 1250-LTC Dimensions



Panel cut out min.: 1.653 (42mm) x 3.543 (90mm) (+2/-0mm)

Panel thickness: 0.1 (2.7mm) to 0.19 (5.0mm)

Ordering Information

1250-LTC-U-W-Y-ZZZ = options, see below

OPTIONS

U = Output Options **0** (0-1 mA) **2** (0-2 mA)
 1 (±1 mA) **4** (4-20 mA)*

W = Relay/Isolation Options **R** - Relay Limits
 I - Input Isolation

Y = Comm. Options **S - RS-232** **M - RS-485**

ZZZ = Line Voltage **120** (120 VAC) or **240** (240 VAC)

* 4-20 mA requires external loop power or model 1945



Intelligent Controls, Inc.
P.O. Box 638
Saco, Maine 04072
Tel: 800-872-3455
Fax: 207-283-0158
www.incon.com

