



Sense
Measure
Control

Model ASLF Barometric/MAP Transducer

- **Miniature Size**
- **15 to 75 psi Absolute Range**
- **Aluminum Construction**
- **5V or 8-16V Supply**
- **Amplified Output**
- **Fluid/Gas Compatible**



The ASLF Series of cost effective high performance pressure transducers have been designed for Barometric and MAP pressures in demanding motorsport and automotive applications.

These are ideal for high precision data acquisition or control systems. The transducers can be installed directly onto vehicles or as part of a test stand or dyno.

The transducers offer a high level of reliability and endurance, they are protected against the high vibration, shock and high temperatures found in motorsport.

By using a sealed sensing element, these sensors are compatible with fluids and gases found in most race applications.

The modular construction and programmable amplifier provide a fast delivery time for standard and custom configurations. Pressure ranges are available between 0 - 15 psi to 0 - 75 psi absolute. Industry standard 3-wire electrical connections allow configuration with most common ECU's and data logging systems.

The ASLF Series are race proven and can be found in many race series around the world.

For OEM applications we have many options available to customize these transducers at an affordable cost.

Typical applications include: Air Intake - Boost - Barometric - MAP

KA sensors is a dynamic company with over 30 years of sensor and instrumentation experience in the motorsport industry. We offer a strong engineering led service to all of our customers, with speed of response and confidentiality being paramount.

Please contact us for further expert assistance with your application.

Process Measurement & Controls, Inc.- 11 Old Sugar Hollow Road – Danbury – CT 06810 - USA

Tel: 203-792-8686

Fax: 203-743-2051

Email: sales@pmc1.com

Web: www.pmc1.com

ASLF.0613U

Specifications

- **Range: psi (others available)**
Standard ranges: 15, 30, 50, 75
Absolute
- **Proof Pressure**
150% of range
- **Burst Pressure**
>300% of range
- **Accuracy**
±0.5% FS combined linearity & hysteresis
- **Thermal Effects**
Zero: ±0.008% FS/°F
Sensitivity: ±0.008% of reading / °F
- **Output**
0.5V to 4.5V (others available)
- **Supply**
5V±0.5V ratiometric or 8-16Vdc
- **Operating Temperature Range**
-5°F to +275°F
- **Compensated Temperature Range**
32°F to +250°F
- **Construction**
Black anodized aluminum, alumina, stainless steel, Viton, FEP
- **Electrical Connection**
20", Spec 55®, 26AWG cable + DR25 sleeve
- **Seal**
Viton O ring (supplied)
- **Protection Class**
IP67
- **EMC Protection**
EN 50082-1
- **Vibration**
Mil-Std-810C, Curve L, 20G
- **Weight**
1.7oz (inc cable)
- **Options**
Cable length
Range, inchesHg or mbar
Part number labelling
Connector installed

KA/PMC adopts a continuous development program which sometimes necessitates specification changes without notice

Process Measurement & Controls, Inc. - 11 Old Sugar Hollow Road – Danbury – CT 06810 - USA

Tel: 203-792-8686

Fax: 203-743-2051

Email: sales@pmc1.com

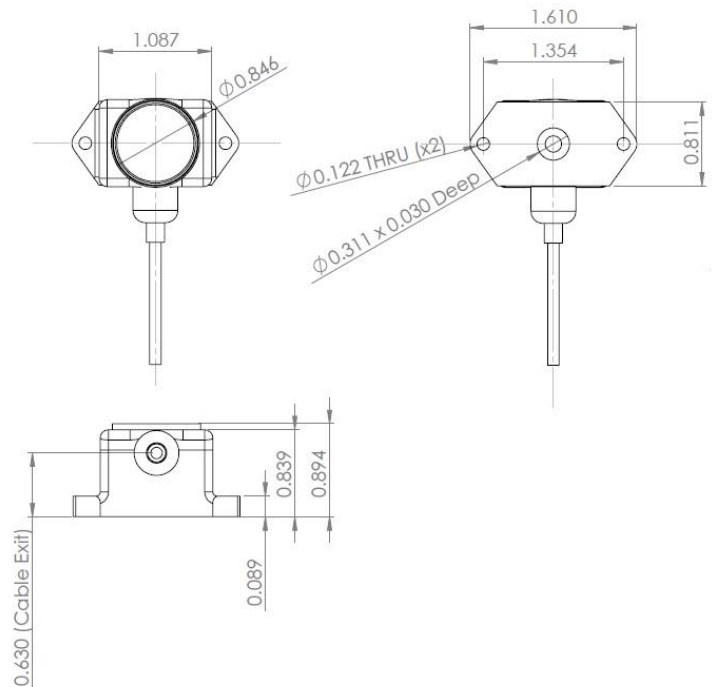
Web: www.pmc1.com

How to Order

- **Please provide information as below:**
Model: ASLF
Range: psi, inchHg or mbar
Supply voltage
Connector installed
Part number label

Standard Configuration

Dimensions in inches



Other Products

- **KA Sensors offer a wide range of products and services to the Motor Sport Industry.**
- **Sensors:** Pressure, Force, Torque, Temperature, Acceleration, Displacement, Angle, Speed
- **Other capabilities:** Telemetry, Data logging, Electronics design, Controls, Wiring.
Please contact us for additional information.

ASLF.0613U