



Sense
Measure
Control

Model ASM Miniature Pressure Transducer

- **Miniature Size**
- **150 psi to 6000 psi Range**
- **Ruggedized Construction**
- **5V or 8-16V Supply**
- **Amplified Output**
- **0.2% Accuracy**



The ASM Series of high performance pressure transducers have been designed for high temperature installations on motorsport and automotive applications.

These are ideal for high precision data acquisition or control systems. The transducers can be installed directly onto vehicles or as part of a test stand or dyno.

The transducers offer a high level of reliability and endurance, they are protected against the high vibration, shock and high temperatures found in motorsport. Continuous operation up to 300°F allows for installation in hot zones.

The modular construction and programmable amplifier provide a fast delivery time for standard and custom configurations.

Pressure ranges are available between 150 psi to 6000 psi sealed gauge reference.

Industry standard 3-wire electrical connections allow configuration with most common ECU's and data logging systems.

The ASM Series are race proven and can be found in many race formula around the world.

For OEM applications we have many options available to customise these transducers at a sensible cost.

Typical applications include: Oil – Fuel – Coolant – Boost – Brakes - Air – Water

KA Sensors is a dynamic company with over 30 years of sensor and instrumentation experience in the motorsport industry.

We offer a strong engineering led service to all of our customers, with speed of response and confidentiality being paramount.

Please contact us for further expert assistance with your application.

Process Measurement & Controls, Inc.- 11 Old Sugar Hollow Road – Danbury – CT 06810 - USA

Tel: 203-792-8686

Fax: 203-743-2051

Email: sales@pmc1.com

Web: www.pmc1.com

ASM.1012U



Specifications

- **Range: psi**
Standard ranges: 150, 220, 300, 500, 725, 1500, 3000, 3600, 6000
Sealed gauge or Absolute
- **Safe Over Range**
150% of range
- **Burst Pressure**
>300% of range
- **Accuracy**
±0.5% FS combined linearity & hysteresis
- **Thermal Effects**
Zero: ±0.005% FS/°F
Sensitivity: 0.005% of reading / °F
- **Output**
Pressure: 0.5V to 4.5V (others available)
- **Supply**
5V (±0.5V) ratiometric or 8-16Vdc
- **Operating Temperature Range**
-4°F to +212°F
- **Compensated Temperature Range**
32°F to +176°F
- **Construction**
Stainless steel
- **Electrical Connection**
20" 55spec, 26AWG +DR25 sleeve
- **Thread size**
3/8-24 UNF (-3), M5x0.8, M6x1, M8x1, M10x1
- **Protection Class**
IP67
- **EMC Protection**
EN 50082-1
- **Vibration**
Mil-Std-810C, Curve L, 20G
- **Weight**
1.4oz (inc cable)
- **Options**
Cable length
Thread Size
Part Number Labelling
Connector Fitted

KA/PMC adopts a continuous development program which sometimes necessitates specification changes without notice

Process Measurement & Controls, Inc. - 11 Old Sugar Hollow Road – Danbury – CT 06810 - USA

Tel: 203-792-8686

Fax: 203-743-2051

Email: sales@pmc1.com

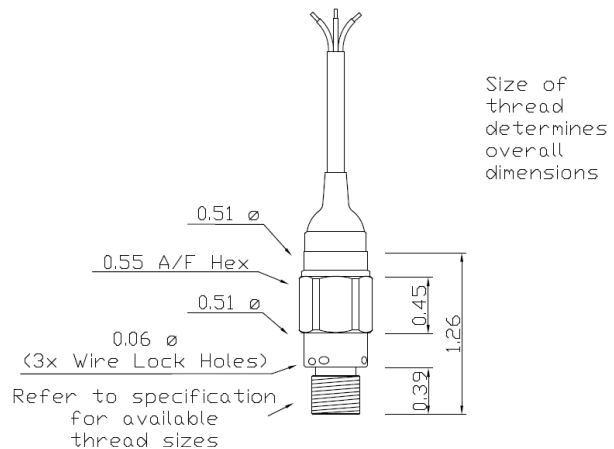
Web: www.pmc1.com

How to Order

- **Please provide information as below:**
Model: ASM
Range: psi
Supply Voltage
Thread size
Connector Fitted
Part Number Label

Standard Configuration

Dimensions in inches



Other Products

- **KA Sensors offer a wide range of products and services to the Motor Sport Industry.**
- **Sensors:** Pressure, Force, Torque, Temperature, Acceleration, Displacement, Angle, Speed
- **Other capabilities:** Telemetry, data logging, Electronics design, Controls, Wiring. Please contact us for additional information.

ASM.1012U