



Sense
Measure
Control

Model ASMP Pressure Transducer

- **Miniature Size**
- **15 to 3000 psi Range**
- **Ruggedized Construction**
- **5V or 8-16V Supply**
- **Amplified Output**
- **Built-in Connector**



The ASMP Series of cost effective high performance pressure transducers have been designed for the detection of fluid and air pressures in demanding motor sport and automotive applications.

The modular construction and programmable amplifier provide a fast delivery time for standard and custom configurations.

Pressure ranges are available between 15psi to 3000psi in either sealed gauge or absolute reference.

Industry standard 3-wire electrical connections allow configuration with most common ECU's and data logging systems.

The ASMP Series are race proven and can be found in many race formula around the world.

For OEM applications we have many options available to customise these transducers at a sensible cost.

Typical applications include: Oil – Fuel – Coolant – Boost – Brakes - Air – Water

KA Sensors is a dynamic company with over 30 years of sensor and instrumentation experience in the motorsport industry.

We offer a strong engineering led service to all of our customers, with speed of response and confidentiality being paramount.

Please contact us for further expert assistance with your application.

Process Measurement & Controls, Inc. - 11 Old Sugar Hollow Road – Danbury – CT 06810 - USA

Tel: 203-792-8686

Fax: 203-743-2051

Email: sales@pmc1.com

Web: www.pmc1.com

ASMP.1012U

Specifications

- **Range: psi**
Standard ranges: 15, 30, 75, 150, 300, 1500, 3000
Sealed gauge or Absolute
- **Safe Over Range**
150% of range
- **Burst Pressure**
>300% of range
- **Accuracy**
±0.5% FS combined linearity & hysteresis
- **Thermal Effects**
Zero: ±0.02% FS/°F
Sensitivity: 0.02% of reading / °F
- **Output**
0.5V to 4.5V (others available)
- **Supply**
5V (±0.5V) ratiometric or 8-16Vdc
- **Operating Temperature Range**
-4°F to +212°F
- **Compensated Temperature Range**
32°F to +176°F
- **Construction**
Stainless steel, Alumina, Viton, FEP
- **Electrical Connection**
Metri-pack (Packard) 150 series connector
- **Thread size**
M10x1, 3/8-24UNF (-3)
- **Protection Class**
IP67
- **EMC Protection**
EN 50082-1
- **Vibration**
Mil-Std-810C, Curve L, 20G
- **Weight**
2.4oz
- **Options**
Thread Size
Cable assembly
Part Number Labelling

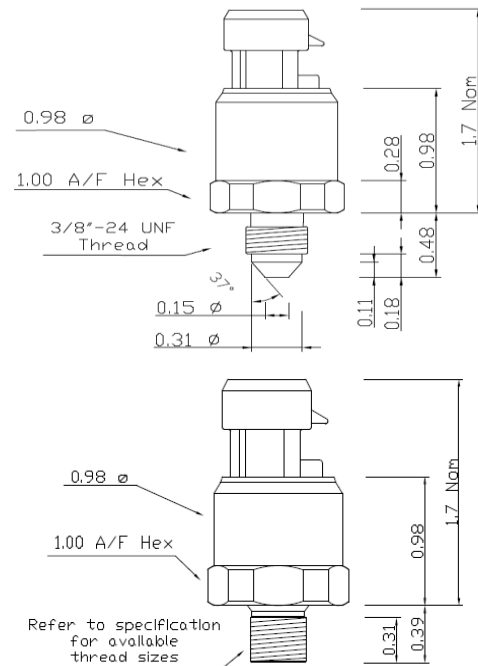
KA/PMC adopts a continuous development program which sometimes necessitates specification changes without notice

How to Order

- **Please provide information as below:**
Model: ASMP
Range: psi
Supply Voltage
Thread size
Connector Fitted
Part Number Label

Standard Configuration

Dimensions in inches



Other Products

- **KA Sensors offer a wide range of products and services to the Motor Sport Industry.**
- **Sensors:** Pressure, Force, Torque, Temperature, Acceleration, Displacement, Angle, Speed
- **Other capabilities:** Telemetry, data logging, Electronics design, Controls, Wiring.
Please contact us for additional information.

Process Measurement & Controls, Inc. - 11 Old Sugar Hollow Road - Danbury - CT 06810 - USA

Tel: 203-792-8686

Fax: 203-743-2051

Email: sales@pmc1.com

Web: www.pmc1.com

ASMP.1012U