

More Precision.



optris® CX

Two wire infrared sensor for rugged industrial applications



FEATURES

- Easy two wire installation
- Wide measurement range of -30 °C to 900 °C
- Optional USB programming interface and software
- Wide power range: 5-30 V DC
- Optical resolution of 22:1
- Simultaneous two wire output and digital communication
- Alarm output (0-30 V / 500 mA)

General specifications	
Environmental rating	IP 65 (NEMA-4)
Ambient temperature	-20 - 75° C
Storage temperature	sensing head: -40 - 85°C
Relative humidity	10 - 95 %, non condensing
Vibration	IEC 68-2-6: 3 G, 11-200 Hz, any axis
Shock	IEC 68-2-27: 50 G, 11 ms, any axis
Weight	350 g
Electrical specifications	
Output /analog	4 - 20 mA
Output / alarm	0-30 V / 500 mA (open collector)
Outputs/digital (optional)	USB
Loop impedance	max. 1000 Ω ¹⁾
Cable length	8 m
Power supply	5 - 30 V DC

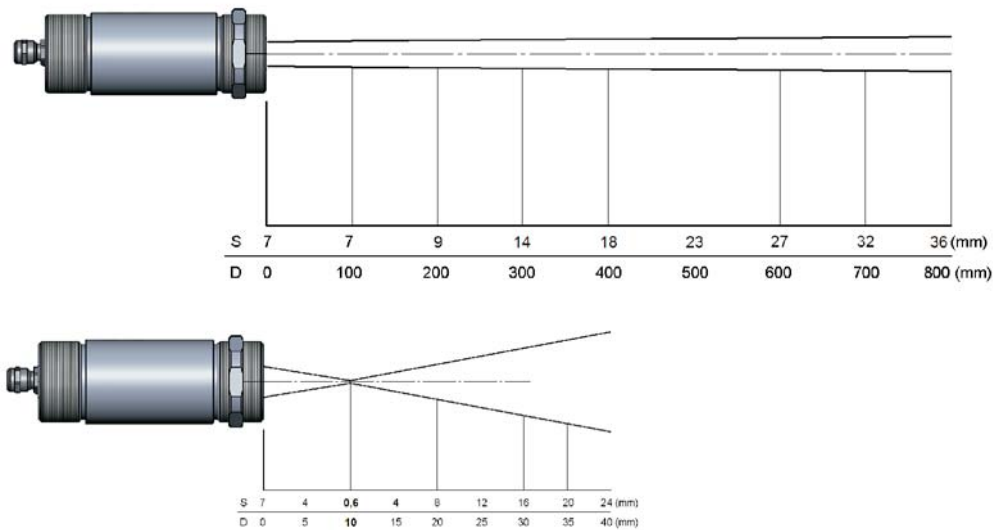
1) in dependence on supply voltage

Measurement specifications	
Temperature range (scalable via software)	-30 - 900°C
Spectral range	8 - 14 μm
Optical resolution	22:1
CF-Optics (optional)	0.6 mm @ 10 mm
System accuracy (at ambient temperature 23 ±5°C)	±1 % or ±1,4°C ¹⁾
Repeatability (at ambient temperature 23 ±5°C)	±0.5 % or ±0.7°C ¹⁾
Temperature resolution	0.1°C
Response time (95%)	150 ms
Emissivity/Amplification (adjustable via software)	0.100 - 1.100
Transmissivity (adjustable via software)	0.100 - 1.100
Signal processing (parameter adjustable only via optional software)	peak hold, valley hold, average; extended hold function with threshold and hysteresis

¹⁾ whichever is greater

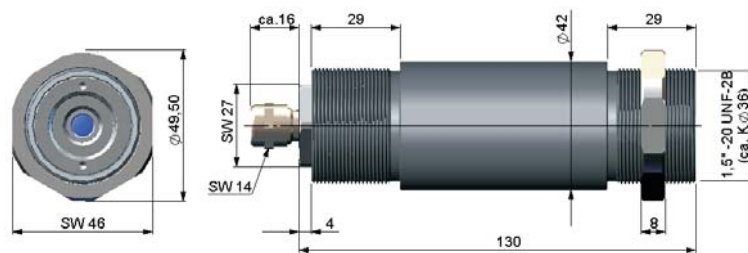
optris® CX

Optical specifications

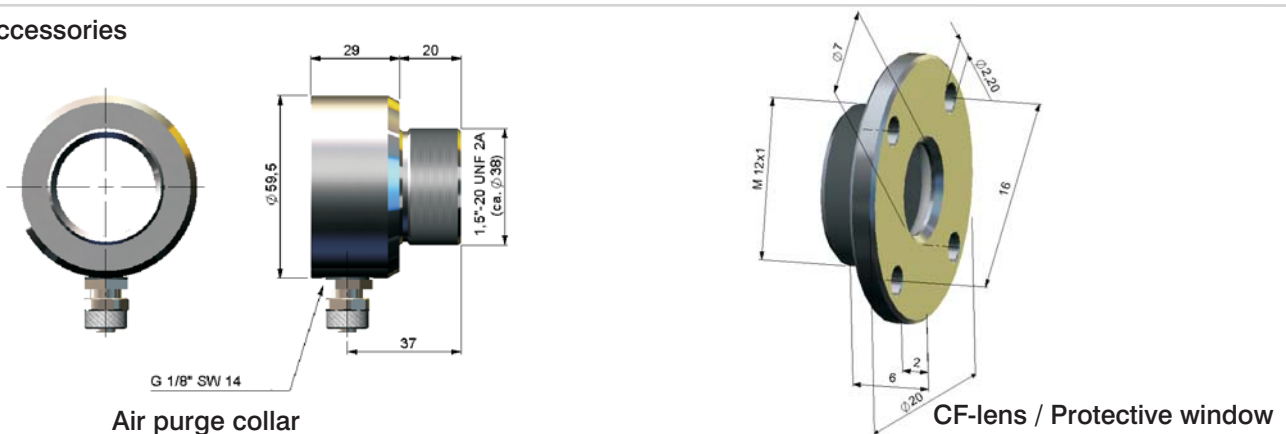


S=Spotsize
D=Distance

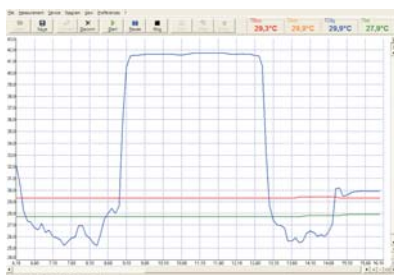
Dimensions



Accessories



CompactConnect Software



- Software for easy sensor setup and remote controlling, supports multi tasking
- Graphic display for temperature trends and automatic data logging for analysis and documentation with 1 ms response time
- Adjustment of signal processing functions and programming of outputs of the sensor
- Automatic emissivity adjustment
- The software CompactConnect allows to customize the sensor to application needs of the user

Optris GmbH

Ferdinand-Buisson-Str. 14
13127 Berlin/Germany

Tel. +49 (0) 30 500 197-0
Fax +49 (0) 30 500 197-10

info@optris.de
www.optris.de

Development and sales of portable and stationary infrared measuring instruments.

Specifications are subject to change without notice.
CX-DS-E2008-06-A

