

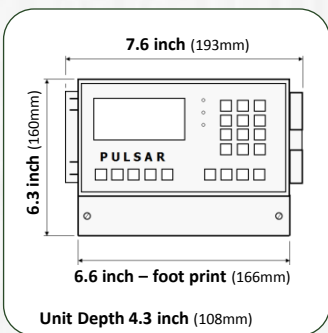
Ultra 3 datasheet



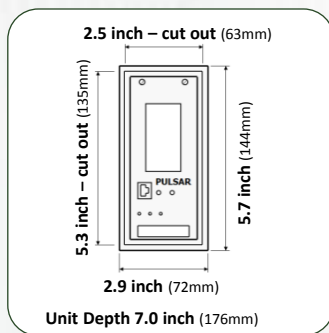
Ultra sophistication in a smart package, Ultra 3 combines reliable non-contacting ultrasonic level and volume measurement, high specification pump control and open channel flow measurement to international standards. Three control or alarm relays, optional data logging, Pulsar's world-leading DATEM echo processing software and a choice of wall, fascia, panel or 19" rack mounting. Can operate with any of the Pulsar transducers up to the dB40 dependent on application, with an optional Ultra 3 able to operate the dB50.



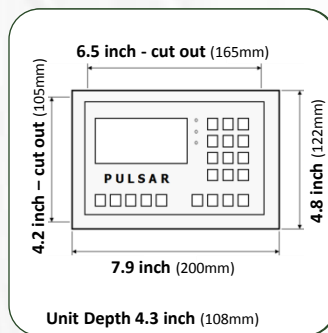
Ultra 3 – General	
Function:	Level, Volume, Pump Control and Open Channel Measurement
Power Supply:	115V AC +5%/-10%, 50/60 Hz, 18-30V DC
Display:	Back lit, 6 digits plus 12 character text, bargraph with direction indicator
Approvals:	UL/CuL – (wall mount and fascia mount versions only) NEMA – (wall mount NEMA 4X (IP65)), (fascia mount NEMA 12 (IP64)) American Recovery and Reinvestment Act (ARRA certification on request)
Temperature:	Ambient -4 to 122°F (-20 to 50°C)
Outputs	
Relays:	3, form "C" (SPDT) relays rated 5A at 115V/240V AC
Relay Functions:	Level alarms, totalizer pulsing, advanced pump routines, basic on/off control, rate of change, device failed
Analogue Output:	4-20mA isolated output
Analogue Output Functions:	Flow, head, level, volume, distance, or space
Programming	
Programming:	Integral keypad or handheld programmer - easy and descriptive menu driven Ultra PC - all parameters accessible and echo traces viewable
Echo Processing	
Echo Processing:	Digital echo processing
Masking:	DATEM Obstruction Masking (unique intelligent masking technology, continually adapting to prevent false levels being shown)
Options	
Digital Communications:	RS485 Modbus or Profibus DP V0 or V1
Data Logging:	Data logging card
Software:	Ultra PC - Diagnostic software, Ultra Log – Viewing data logged info
Intrinsically Safe Barrier:	Built in Zener Barrier for I.S. app. (unit mounted in safe area)(wall mount only)
Compatible Transducers	
Level / Volume App. :	dB3, dB6, dB6, dB10, dB15, dB25, dB40, dB50, dBMACH3
Pump Control App. :	dB3, dB6, dB6, dB10, dB15, dBMACH3
Open Channel Flow App. :	dBMACH3*, dB6, dB6, dB10, dB15 (* recommended for OCF application)
Please see related transducer datasheet for specifications and options.	



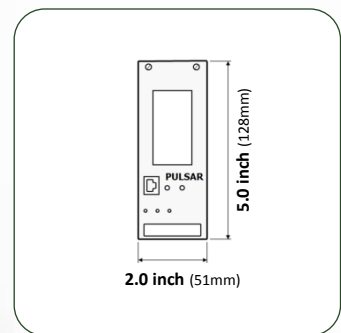
Wall Mount



Panel Mount



Fascia Mount



19" Rack Mount